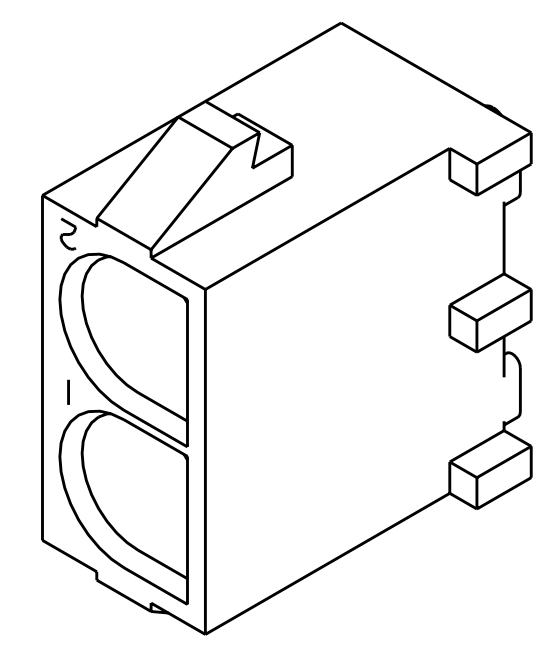
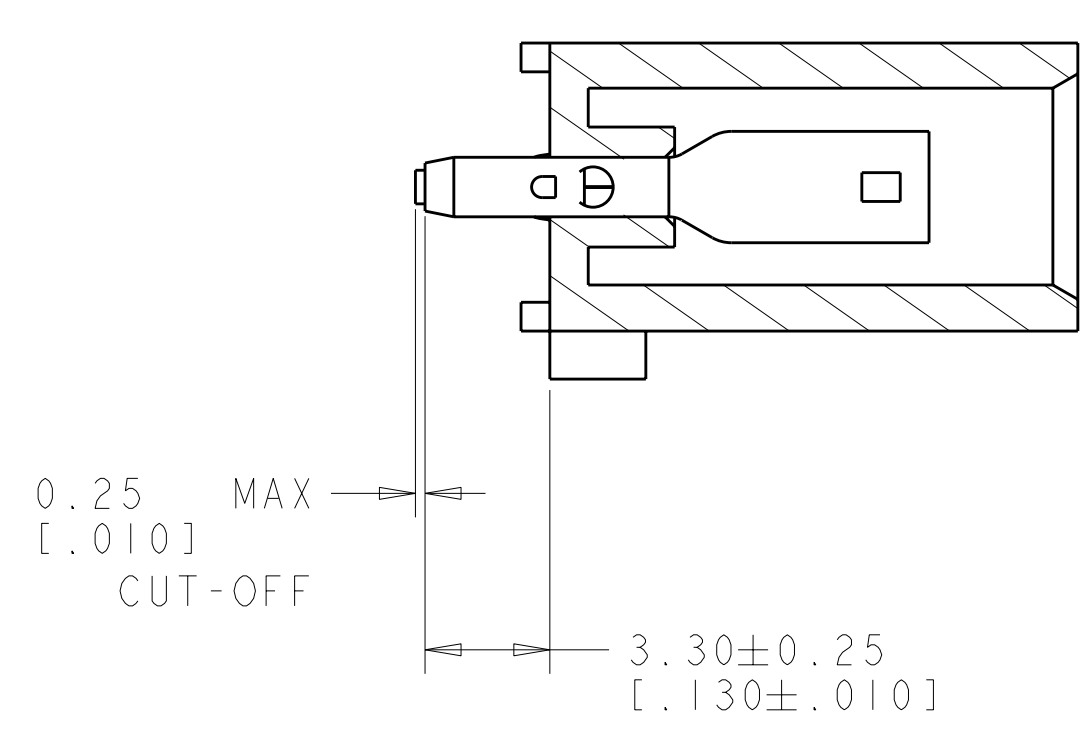
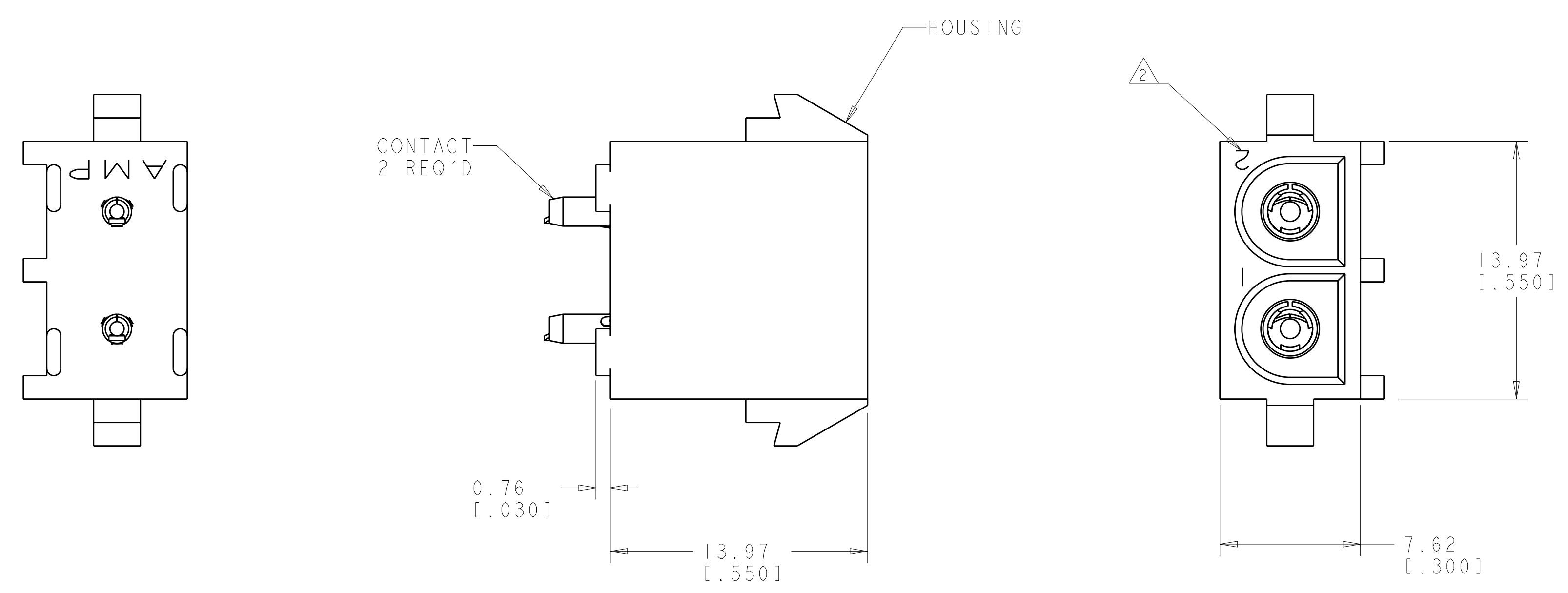
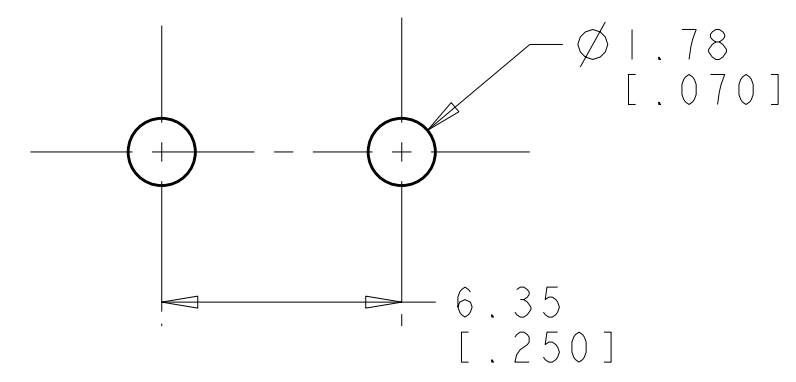


| LOC | DIST | REVISIONS |                        |           |       |
|-----|------|-----------|------------------------|-----------|-------|
| CM  | 00   | REV       | DATE                   | DWN       | APVD  |
|     |      | A         | RELEASED PER WR-07-123 | 25SEP2007 | KW DC |
|     |      |           |                        |           |       |
|     |      |           |                        |           |       |

1. PARTS COMPLY TO AMP SOLDERABILITY SPECIFICATION 109-11-2.  
 △ CIRCUIT IDENTIFICATION CHARACTERS ARE ADJACENT TO THE INDICATED CAVITIES, BUT LOCATION AND ORIENTATION MAY DIFFER FROM PRINT.



3 DIMENSIONAL VIEW  
SCALE 4:1



RECOMMENDED MOUNTING HOLE PATTERN  
FOR 1.57 [.062] THICK P.C. BOARD

|  |   |   |
|--|---|---|
| PHOSPOR BRONZE, PRE-TIN<br>PIN CONTACT MATERIAL AND FINISH   | NYLON, UL94V-2, NATURAL<br>HOUSING MATERIAL AND COLOR | 2029000-1<br>PART NUMBER                      |
| DIMENSIONS: mm [INCHES]<br>TOLERANCES UNLESS OTHERWISE SPECIFIED:<br>9 PLC ±<br>1 PLC ±<br>2 PLC ±0.13(.005)<br>3 PLC ±<br>4 PLC ±<br>ANGLES ±<br>FINISH SEE TABLE   |   |   |
| DWN R. WHITAKER 25SEP2007<br>CHK D. COLEY 25SEP2007<br>APVD D. COLEY 25SEP2007<br>NAME: SOCKET HEADER ASSEMBLY, 2 CIRCUIT, SHORT TAIL, UNIVERSAL MATE-N-LOK(TM)<br>SIZE: CAGE CODE: DRAWING NO: A11 00779 ©=2029000<br>WEIGHT: -<br>CUSTOMER DRAWING |   |   |
| Tyco Electronics<br>Harrisburg, PA 17105-3608  |   | RESTRICTED TO<br>SCALE 5:1 SHEET 1 OF 1 REV A |

